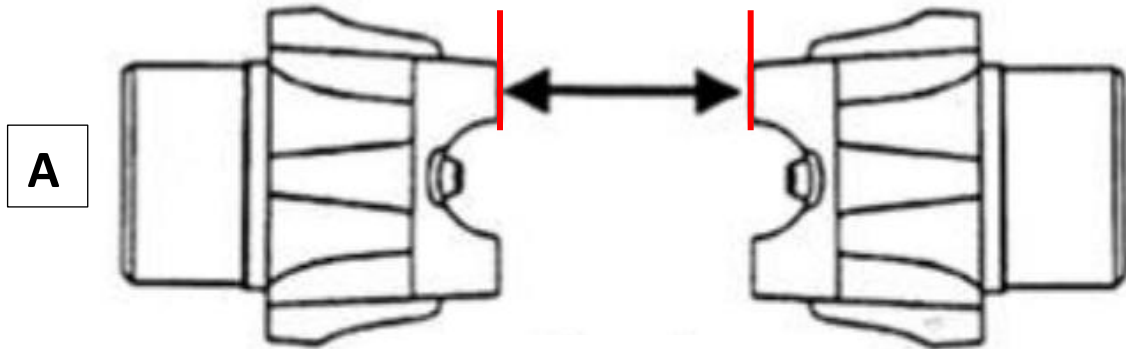


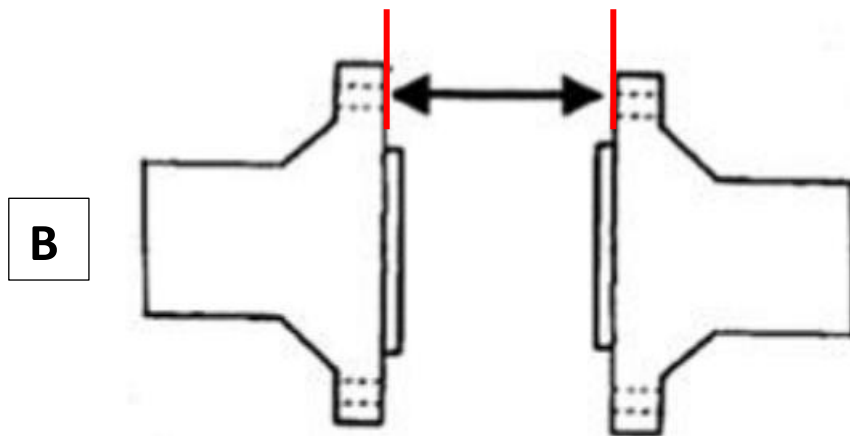


# MEASURING DIAGRAMS

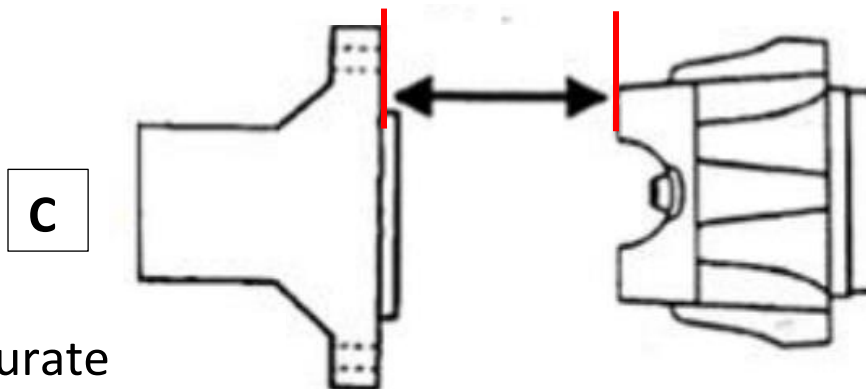
## Drive Shafts



Center to center of U-joint



Face to face



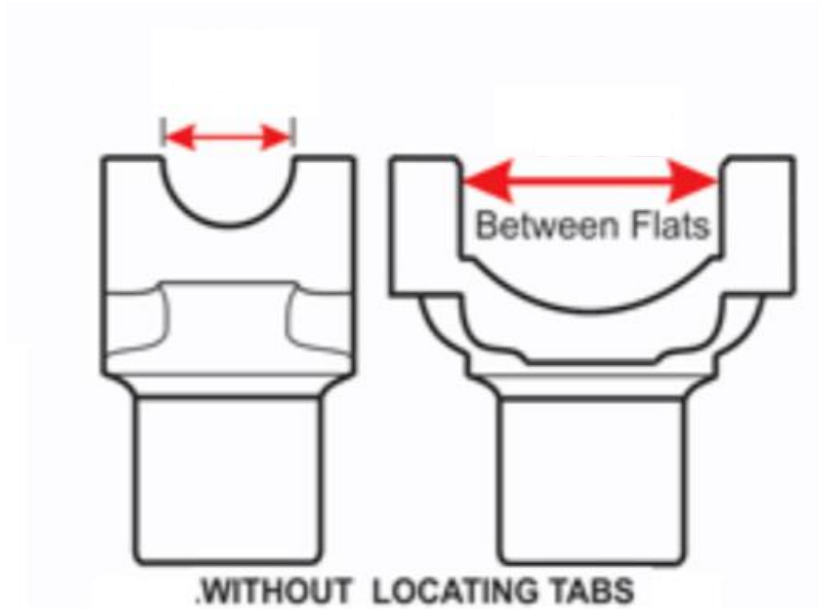
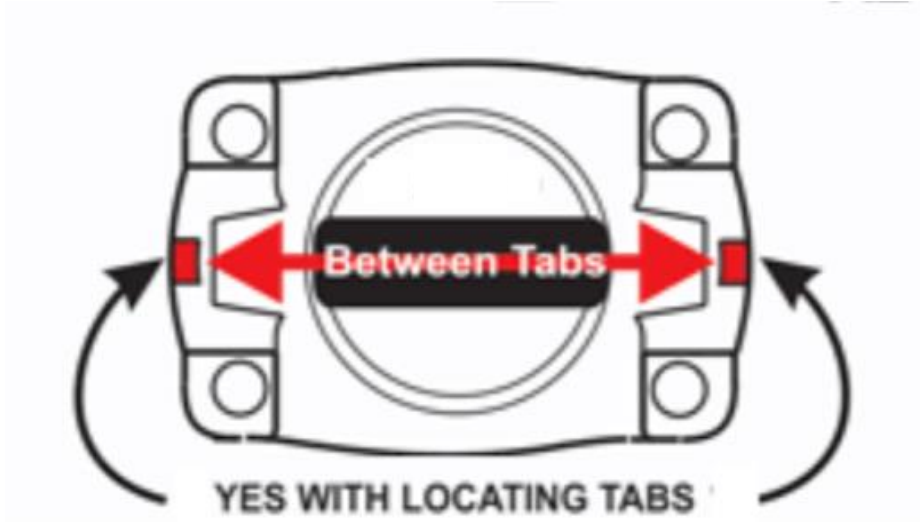
Face to center of U-joint

\*For accurate measurements, car must have load on axles



# MEASURING DIAGRAMS

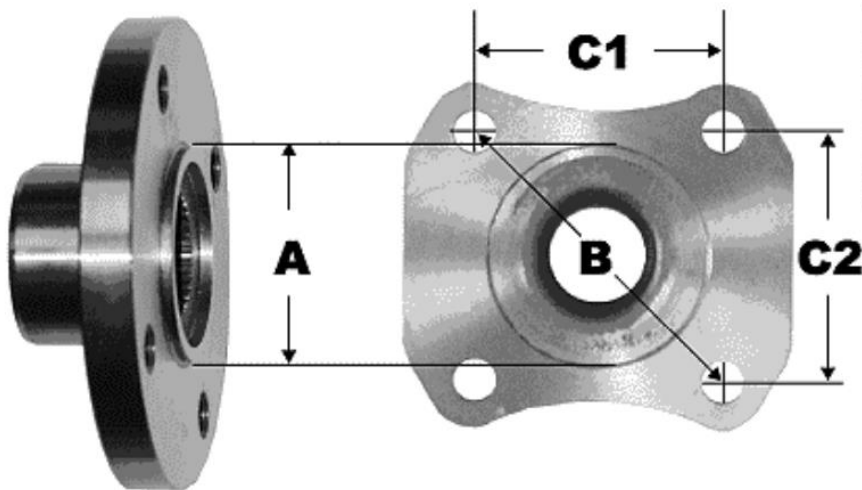
## Cap Measurements





# MEASURING DIAGRAMS

## Flanges



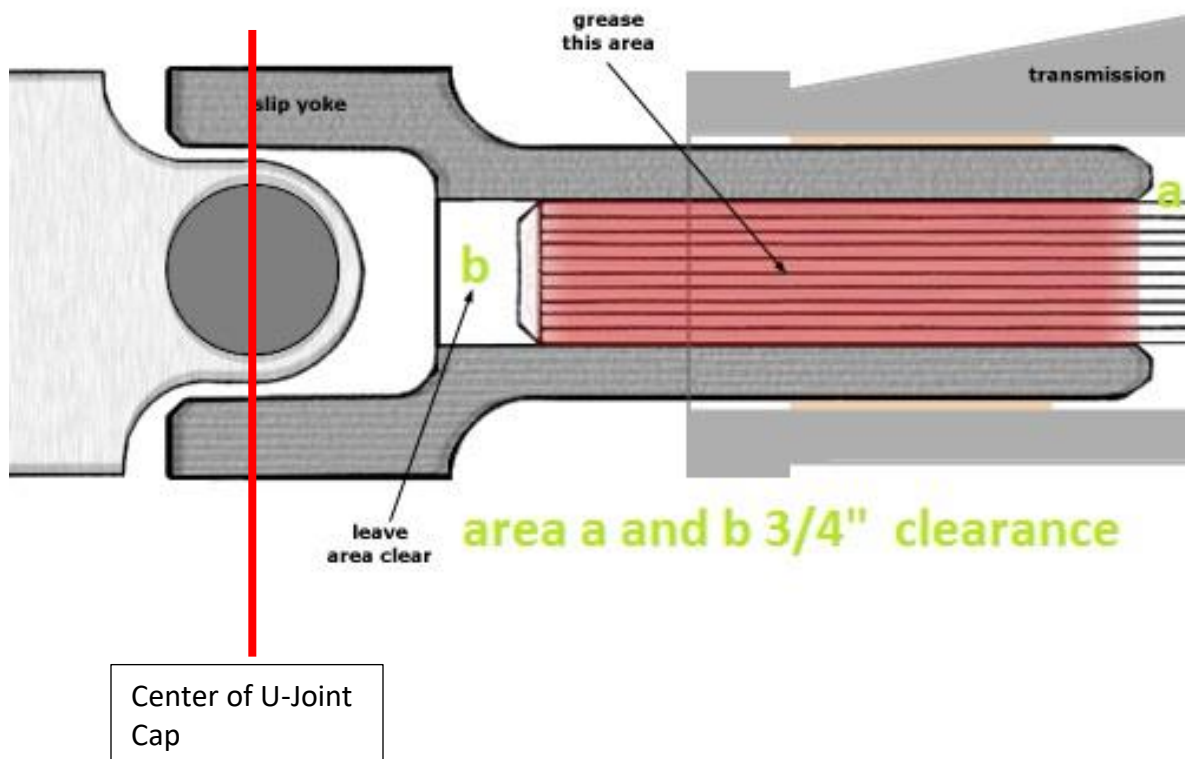
### How To Measure:

Measure the pilot diameter dimension (A). Measure bolt circle diameter (B). Measure chord lengths (C1 & C2). Determine if bolt holes on the flange attached to the drive shaft are threaded or non-threaded.



# MEASURING DIAGRAMS

## Slip Yolks



\*Slip yolks vary in length and fit, so push in until it stops. Then pull back  $\frac{3}{4}$ " and measure from center of u-joint cap to center of u-joint cap on differential.

\*\*Due to the multiple factors associated with measuring slip yolks such as spline count, major and minor measurements, and blank splines we ask that you please call and speak with our technicians for details before submitting the form.